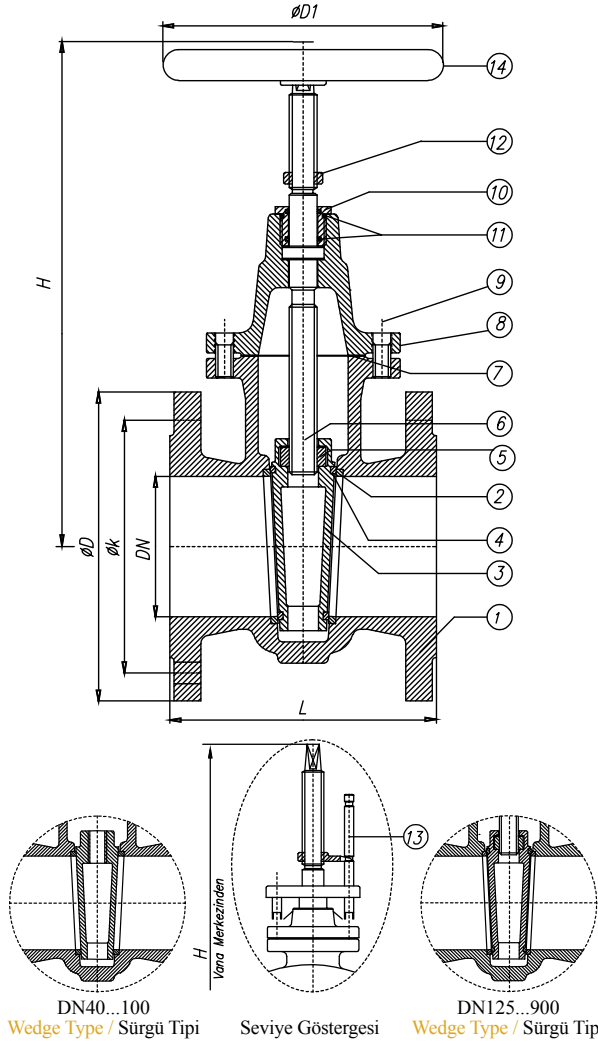


GATE VALVE with indicator

SEVİYE GÖSTERGELİ

SÜRGÜLÜ VANA

VSG-10



Design / Dizayn: EN 1171
Face to Face / L Boyu: EN 558
Serie 14 (DN3202 F4)
Pressure Rate / Basınç Aralığı: PN10-PN16
Size Range / Ölçü Aralığı: DN40-DN1000
Temperature / Sıcaklık: -10....+120 °C
Flange Ends / Flanş: DIN EN 1092-2/B
Test: EN 12266



1
Gate Valves

NO	PART NAME	PARÇA ADI	MATERIAL / MALZEME	NO	PART NAME	PARÇA ADI	MATERIAL / MALZEME
1	Body	Gövde	GG 25 / GGG-40 / GGG40.3 / GSC25 / Bronze R65, R67, R610/ SS304, SS316	7	Gasket	Conta	EPDM/ NBR / Klingerit / Graphite
2	Body seat	Gövde Burcu	Bronze / SS304, SS316	8	Bonnet	Kapak	GG 25 / GGG-40 / GGG40.3 / GSC25 / Bronze R65, R67, R610/ SS304, SS316
3	Wedge	Sürgü	GG 25 / GGG-40 / GGG40.3 / GSC25 / Bronze R65, R67, R610/ SS304, SS316	9	Bolt	Civata	8.8 / A2 / A4
4	Wedge seat	Sürgü Burcu	Bronze / SS304, SS316	10	Packing nut	Mil Somunu	Ms 58/Bronze/S.S
5	Stem nut Only 125...900	Sürgü Somunu Sadece 125...900	Ms58/Bronze/GGG 40	11	O-Ring	O-Ring	EPDM
6	Stem	Mil	Ms58/Som59/CuZn35Ni/CuSn8, CuSn10/SS420,SS304,SS316	12	Indicator	Gösterge	Ms 58/ SS420, SS304, SS316
				13	Indicator Pin	Gösterge Pimi	Ms 58/ SS420, SS304, SS316
				14	Handwheel	Volan	GG 20

Nominal Pressure / Anma Basıncı	PN	16-10							10-6			6-4		4-2,5	2,5-1,6	1,6-1			
Nominal Diameter / Anma Çapı	DN	40	50	65	80	100	125	150	200	250	300	350	400	500	600	700	800	900	1000
Valve Dimensions / Vana Boyutları DIN EN 1171	L	140	150	170	180	190	200	210	230	250	270	290	310	350	390	430	470	510	550
	H	190	235	260	290	310	435	455	580	720	815	925	1030	1265	1450	1650	1860	1990	2030
	D1	160			200		250		315		400		500		630		800		
Flange Dimensions / Flanş Ölçüleri DIN 2501 - EN 1092-2 PN10	D	150	165	185	200	220	250	285	340	395	445	505	565	670	780	895	1015	1115	1230
	k	110	125	145	160	180	210	240	295	350	400	460	515	620	725	840	950	1050	1060
Flange Dimensions / Flanş Ölçüleri DIN 2501 - EN 1092-2 PN16	D	150	165	185	200	220	250	285	340	405	460	520	580	715	840	910	1025	1125	1255
	k	110	125	145	160	180	210	240	295	355	410	470	525	650	770	840	950	1050	1170
Weight / Ağırlık	kg	8.5	10.5	11.4	11.6	22.5	37.5	45	82	125	178	228	293	465	685	875	1205	1405	1540